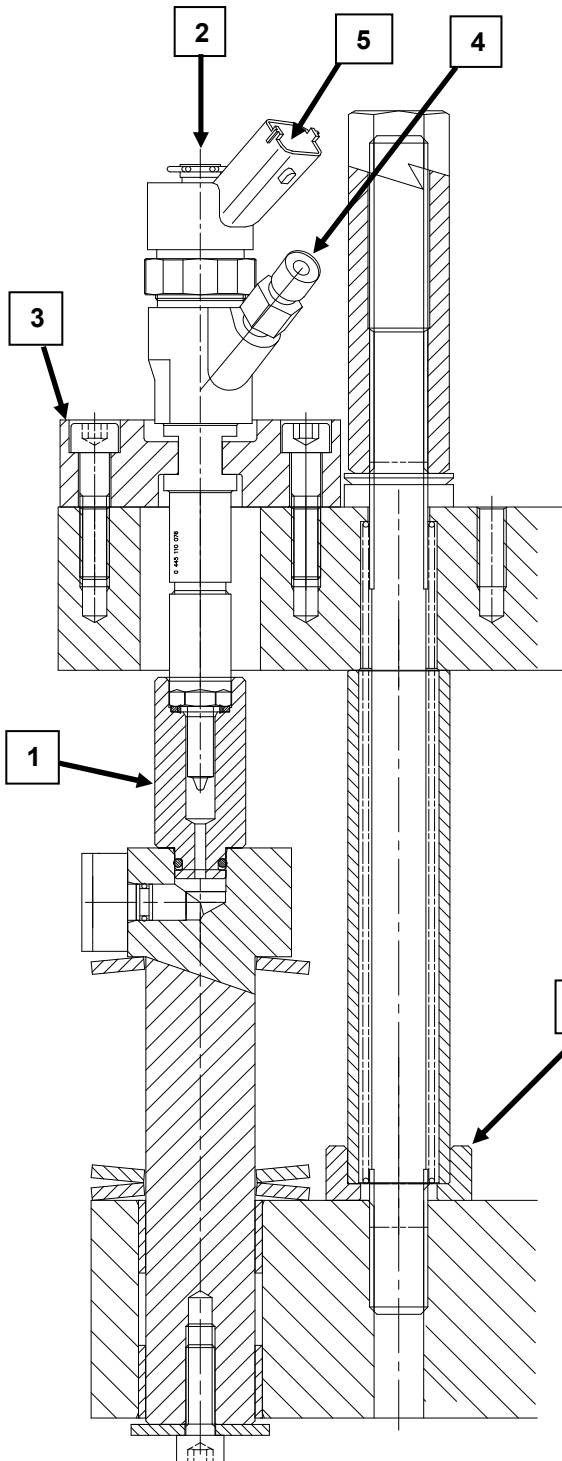


Product: All Makes Common Rail Injector Test

Subject: Application Coverage and Parts

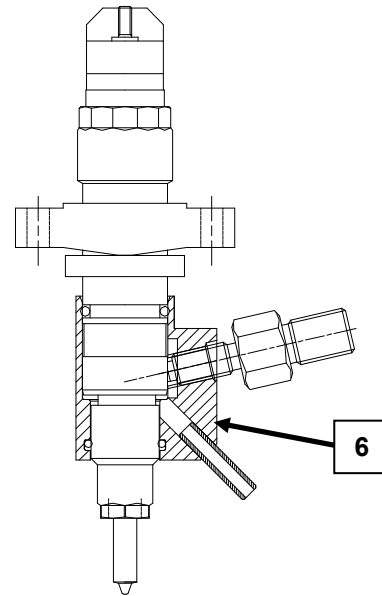


This bulletin details the Common Rail injector types and additional accessories that are required for testing on the AVM2-PC Test Stand using the All Makes Common Rail Injector Test Kit HK900 or the CRi-PC Test Stand.

The drawing shows a typical setup of an injector and its fixturings. The additional accessories that are required for testing are as follows:

1. Nosepiece Adaptor and seals
2. Backleak Adaptor (*not shown*)
3. Clamp Block
4. HP Pipe (rail to injector) (*not shown*)
5. Electrical Cable (*not shown*)
6. Fuelling Sleeve Assembly – Side-ported injectors
7. 9kN Spacer *

*N.B. Item 7 (9kN Spacer NTA5002) is included with the All Makes Common Rail Injector Test Kit HK900 and the CRi-PC Test Stand.



In general the Clamp Block, HP Pipe, and Fuelling Sleeve will be specific to a given part number (or set of part numbers that are dimensionally identical). The other accessories are common to a range of part numbers.

Refer to the application tables overleaf to determine the correct parts for each application.

Bosch Applications

Injector Part Number	Application(s)			Nosepiece Adaptor	Backleak Adaptor	Clamp Block	HP Pipe	Cable Set	Fuelling Sleeve	NTA5002 Required?
	Manuf.	Range	Model	1	2	3	4	5	6	7
0445 110 002 0445 110 068 0445 110 119	Alfa Romeo	145, 146 156 166	1.9 JTD 1.9/2.4 JTD 2.4 JTD	HK907 (NTA5101)	HK909 (NTA5301)	HK918 (NTA5606)	HK919 (1: AHP5011 2: AHP5012 3: AHP5013 4: AHP5014)	HK902 (A089E960, A089E964)	N/A	✓
	Fiat	Bravo / Brava Marea Marengo Multipla	1.9 JTD 1.9 / 2.4 JTD 1.9 JTD 1.9 JTD							
	Lancia	Kappa Lybra	2.4 JTD 1.9/2.4 JTD							
0445 110 009 0445 110 010 0445 110 011 0445 110 012 0445 110 024 0445 110 025 0445 110 034 0445 110 035 0445 110 055 0445 110 069 0445 110 070 0445 110 071 0445 110 072 0445 110 073 0445 110 074 0445 110 094 0445 110 095 0445 110 096 0445 110 099 0445 110 100 0445 110 104 0445 110 106 0445 110 108 0445 110 116 0445 110 121 0445 110 129 0445 110 156 0445 110 181 0445 110 182 0445 110 189 0445 110 190	Mercedes Benz	Vito Sprinter C Class E Class G Class S Class V Class CLK	2.2 CDI 2.1/2.2/2.7 CDI 200/220/270 CDI 200/220/270 CDI 400 CDI 320/400 CDI 200/220 CDI 270 CDI	HK907 (NTA5101)	HK909 (NTA5301)	HK912 (NTA5601)	HK913 (1: AHP5001 2: AHP5002 3: AHP5003 4: AHP5004)	HK902 (A089E960, A089E964)	N/A	✓
0445 110 021 0445 110 110 0445 110 146	Renault	Espace Laguna Master Megane Scenic Trafic	1.9 DCI	HK907 (NTA5101)	HK909 (NTA5301)	HK969 (NTA5631)	HK970 (1: AHP5079 2: AHP5080 3: AHP5081 4: AHP5082)	HK902 (A089E960, A089E964)	N/A	✓
0445 110 028 0445 110 029 0445 110 030 0445 110 047 0445 110 048 0445 110 049 0445 110 130	BMW	3 Series 5 Series 7 Series X5	330d, 330xd 530d 730d, 740d 3.0 d	HK907 (NTA5101)	HK909 (NTA5301)	HK941 (NTA5619)	HK938 (1: AHP5031 2: AHP5032 3: AHP5033 4: AHP5034)	HK902 (A089E960, A089E964)	N/A	✓
0445 110 036 0445 110 057	Citroen Peugeot	C5 C8 406 607 807	2.2 HDi 2.2 HDi 2.2 HDi 2.2 HDi	HK907 (NTA5101)	HK909 (NTA5301)	HK937 (NTA5607)	HK938 (1: AHP5031 2: AHP5032 3: AHP5033 4: AHP5034)	HK902 (A089E960, A089E964)	N/A	✓
0445 110 038 0445 110 063 0445 110 084 0445 110 087 0445 110 102 0445 110 141	Renault Vauxhall / Opel	Avantime Espace Master Movano Vivaro	2.2 DCI 2.2 DCI 2.2 / 2.5 DCI 2.5 DTI	HK907 (NTA5101)	HK909 (NTA5301)	HK971 (NTA5632)	HK972 (1: AHP5083 2: AHP5084 3: AHP5085 4: AHP5086)	HK902 (A089E960, A089E964)	N/A	✓
0445 110 008 0445 110 044 0445 110 062 0445 110 076	Chevrolet Citroen Peugeot Fiat Lancia	Tracker Berlingo C5 Evasion Jumper Jumpy Xantia Xsara Xsara Picasso 206 306 307 406 607 806 Boxer Expert Partner Scudo Ulysse Z	2.0 D 2.0 HDi 2.0 HDi 2.0 HDi 2.0/2.2 HDi 2.0 HDi 2.0 HDi 2.0 HDi 2.0 HDi 2.0 HDi 2.0 HDi 2.0/2.2 HDi 2.0 HDi 2.0 HDi 2.0 JTD 2.0 JTD 2.0 JTD	HK907 (NTA5101)	HK909 (NTA5301)	HK914 (NTA5602)	HK915 (1: AHP5005 2: AHP5006 3: AHP5007 4: AHP5008)	HK902 (A089E960, A089E964)	N/A	✓

Bosch Applications cont.

Injector Part Number	Application(s)			Nosepiece Adaptor	Backleak Adaptor	Clamp Block	HP Pipe	Cable Set	Fuelling Sleeve	NTA5002 Required?
	Manuf.	Range	Model	1	2	3	4	5	6	7
0445 110 064 0445 110 101 0445 110 126	Hyundai	Accent Elantra Matrix Santa Fe Tussan Trajet	1.5 CRDi 2.0 CRDi 1.5 CRDi 2.0 CRDi 2.0 CRDi 2.0 CRDi	HK907 (NTA5101)	HK909 (NTA5301)	HK939 (NTA5618)	HK940 (1: AHP5035 2: AHP5036 3: AHP5037 4: AHP5038)	HK902 (A089E960, A089E964)	N/A	✓
	Kia	X-Trax Sportage	2.0 CRDi							
0445 110 086 0445 110 092 0445 110 185 0445 110 186	Kia	Sorento	2.5 CRDi	HK907 (NTA5101)	HK909 (NTA5301)	HK942 (NTA5620)	HK938 (1: AHP5031 2: AHP5032 3: AHP5033 4: AHP5034)	HK902 (A089E960, A089E964)	N/A	✓
	Hyundai	Porter	2.5 CRDi							
0445 110 118 0445 110 174	GM / Opel	Astra Combo Corsa Meriva	1.7 CDTi	HK907 (NTA5101)	HK909 (NTA5301)	HK943 (NTA5621)	HK944 (1: AHP5039 2: AHP5040 3: AHP5041 4: AHP5042)	HK902 (A089E960, A089E964)	N/A	✓
	Fiat	Ducato	2.8 JTD							
0445 120 002	IVECO	Daily	2.8 litre	HK908 (NTA5102)	HK909 (NTA5301)	HK922 (NTA5605)	HK923 (1: AHP5015 2: AHP5016 3: AHP5017 4: AHP5018)	HK902 (A089E960, A089E964)	N/A	✓
	Renault	Mascott	2.8 litre							
0445 120 003 0445 120 004 0445 120 019 0445 120 020	Renault	Premium Kerax	11.1 litre	HK921 (NTA5103)	N/A	HK934 (NTA5617)	HK935 (1: AHP5027 2: AHP5028 3: AHP5029 4: AHP5030)	HK903 (A089E966, A089E967)	HK936 (NTA5402, NTA5501)	✓
0445 120 007 0445 120 018 0445 120 028	Cummins applications			HK907 (NTA5101)	N/A	HK926 (NTA5603)	HK927 (1: AHP5023 2: AHP5024 3: AHP5025 4: AHP5026)	HK903 (A089E966, A089E967)	HK928 (NTA5401, NTA5501)	✓
0445 120 008	GM	Sierra	Duramax 2500HD Duramax 3500	HK921 (NTA5103)	HK910 (NTA5302)	HK924 (NTA5604)	HK925 (1: AHP5019 2: AHP5020 3: AHP5021 4: AHP5022)	HK903 (A089E966, A089E967)	N/A	✓
	Chevrolet	Silverado	Duramax 2500HD Duramax 3500							

Delphi Applications

EJBR01001A EJBR01001Z	Suzuki	Liana	1.4 Ddis	HK907 (NTA5101)	HK911 (NTA5303)	HK916 (NTA5610) + HK933 (NTA5614)	HK917 (1/4: AHP5009 2/3: AHP5010)	HK904 (A089E961, A089E965)	N/A	✓
	Citroen	C3	1.4 HDI							
EJBR00801Z EJBR01101Z EJBR01301Z EJBR01302Z EJBR01601Z EJBR02001Z EJBR02201Z	Ford	Focus Transit Connect Tourneo Connect	1.8 TDCi 1.8 TDCi 1.8 TDCi	HK907 (NTA5101)	N/A	HK916 (NTA5610) + HK930 (NTA5611)	HK917 (1/4: AHP5009 2/3: AHP5010)	HK904 (A089E961, A089E965)	N/A	✓
EJBR01701Z EJBR01801A EJBR01801Z EJBR02101Z EJBR02701Z	Renault	Clio Kangoo Megane Scenic Modus	1.5 dCi 1.5 dCi 1.5 dCi 1.5 dCi 1.5 dCi	HK907 (NTA5101)	N/A	HK916 (NTA5610)	HK917 (1/4: AHP5009 2/3: AHP5010)	HK904 (A089E961, A089E965)	N/A	✓
	Nissan	Almera Kubistar Micra	1.5 dCi 1.5 dCi 1.5 dCi							
	Suzuki	Jimny	1.5 Ddis							
EJBR00901Z EJBR01901Z EJBR02301Z EJBR02401Z EJBR02501Z EJBR02801D EJBR02901D EJBR03001D EJBR03201D	Kia	Carnival Pregio Bongo Frontier	2.9 HPDi 2.9 HPDi 2.9 HPDi 2.9 HPDi	HK907 (NTA5101)	N/A	HK916 (NTA5610) + HK931 (NTA5612)	HK917 (1/4: AHP5009 2/3: AHP5010)	HK904 (A089E961, A089E965)	N/A	✓
EJBR02601Z	Ssangyong	Rodius Rexton	D27DT D27DT	HK907 (NTA5101)	N/A	HK916 (NTA5610) + HK932 (NTA5613)	HK917 (1/4: AHP5009 2/3: AHP5010)	HK904 (A089E961, A089E965)	N/A	✓
EJDR00002Z EJDR00101Z EJDR00201Z EJDR00202Z EJDR00301Z EJDR00401Z EJDR00402Z EJDR00403Z	Ford	Mondeo Transit	2.0 TDCi 2.0 TDCi	HK907 (NTA5101)	HK911 (NTA5303)	HK920 (NTA5608)	HK917 (1/4: AHP5009 2/3: AHP5010)	HK904 (A089E961, A089E965)	N/A	x
EJDR00501Z EJDR00502Z EJDR00503Z EJDR00504Z EJDR00601Z	Ford	Mondeo	2.0 TDCi	HK907 (NTA5101)	HK911 (NTA5303)	HK920 (NTA5608) + HK929 (NTA5609)	HK917 (1/4: AHP5009 2/3: AHP5010)	HK904 (A089E961, A089E965)	N/A	x
	Jaguar	X400	2.0 TDCi							

Denso Applications

Injector Part Number	Application(s)			Nosepiece Adaptor	Backleak Adaptor	Clamp Block	HP Pipe	Cable Set	Fuelling Sleeve	NTA5002 Required?
	VM	VM Inj Ref	Model							
095000-0570	Toyota	23670-27030	Avensis Avensis Verso Previa RAV4	HK907 (NTA5101)	HK910 (NTA5302)	HK955 (NTA5625) + HK956 (NTA5626) + HK932 (NTA5613)	HK958 (1: AHP5043 2: AHP5044 3: AHP5045 4: AHP5046)	HK905 (A089E962, A089E964)	N/A	✓
095000-0640	Toyota	23670-29025	Corolla							
095000-0750	Toyota	23670-39025	Land Cruiser							
095000-0940	Toyota	23670-39035	4Runner Dyna Hiace Hilux Tiger 2.5l							
095000-5420	Toyota	23670-09030	Avensis Avensis Verso Corolla Corolla Verso							
095000-5580	Toyota	23670-29045	Avensis Corolla							
095000-5890	Toyota	23670-39135	Land Cruiser							
095000-5930	Toyota	23670-09060 23670-0L010	Hilux Vigo 2.5l							
095000-0740	Toyota	23670-39015	Land Cruiser							
095000-0950	Toyota	23670-39045	Dyna	HK907 (NTA5101)	HK910 (NTA5302)	HK955 (NTA5625) + HK956 (NTA5626) + HK932 (NTA5613)	HK958 (1: AHP5043 2: AHP5044 3: AHP5045 4: AHP5046)	HK959 (A089E968, A089E969)	N/A	✓
095000-6110	Toyota	23670-09130	Avensis	HK907 (NTA5101)	HK910 (NTA5302)	HK955 (NTA5625) + HK956 (NTA5626) + HK957 (NTA5627)	HK958 (1: AHP5043 2: AHP5044 3: AHP5045 4: AHP5046)	HK905 (A089E962, A089E964)	N/A	✓
095000-6230	Toyota	23670-09140	Corolla Verso RAV4							
095000 0561 095000 0562	Komatsu			HK921 (NTA5103)	HK962 (NTA5403)	HK964 (NTA5629)	HK965 (1: AHP5071 2: AHP5072 3: AHP5073 4: AHP5074)	HK963 (A089E972, A089E967)	N/A	✓
095000 0800 095000 0801	Komatsu			HK921 (NTA5103)	HK962 (NTA5403)	HK960 (NTA5628)	HK961 (1: AHP5067 2: AHP5068 3: AHP5069 4: AHP5070)	HK963 (A089E972, A089E967)	N/A	✓
095000 5050 095000 5480	John Deere		Tractor (6045 engine)	HK907 (NTA5101)	N/A	HK966 (NTA5630)	HK967 (1: AHP5075 2: AHP5076 3: AHP5077 4: AHP5078)	HK963 (A089E972, A089E967)	HK968 (NTA5404, NTA5502)	✓

Siemens Applications

Injector Part Number	Application(s)			Nosepiece Adaptor	Backleak Adaptor	Clamp Block	HP Pipe	Cable Set	Fuelling Sleeve	NTA5002 Required?
	VM	Ref	Model							
5WS40000-Z	PSA	1980 F0 96 521 736 80	DW10TD 2.0ltr	HK907 (NTA5101)	HK909 (NTA5301)	HK945 (NTA5622)	HK946 (1: AHP5051 2: AHP5052 3: AHP5053 4: AHP5054)	HK906 (A089E963)	n/a	✓
5WS40148-Z	Ford	2S6Q-9F593-AB 2S6Q-9F593-AC	1.4 Litre Euro 3	HK907 (NTA5101)	HK909 (NTA5301)	HK947 (NTA5623)	HK948 (1: AHP5055 2: AHP5056 3: AHP5057 4: AHP5058)	HK906 (A089E963)	n/a	✓
	PSA	96 553 048 80 1980 E7								
5WS40149-Z	Ford	2S6Q-9F593-BC	1.4 Litre Euro 4	HK907 (NTA5101)	HK909 (NTA5301)	HK949 (NTA5624)	HK951 (1: AHP5059 2: AHP5060 3: AHP5061 4: AHP5062)	HK906 (A089E963)	n/a	✓
	PSA	96 545 509 80 1980 J1								
5WS40156-4Z	Ford	3M5Q 9F593 DB	DW10B Class 4	HK907 (NTA5101)	HK909 (NTA5301)	HK949 (NTA5624)	HK951 (1: AHP5059 2: AHP5060 3: AHP5061 4: AHP5062)	HK906 (A089E963)	n/a	✓
	PSA	1980 J5 96 571 445 80								
5WS40156-Z	Volvo	8603565	DW10B Class 5	HK907 (NTA5101)	HK909 (NTA5301)	HK949 (NTA5624)	HK951 (1: AHP5059 2: AHP5060 3: AHP5061 4: AHP5062)	HK906 (A089E963)	n/a	✓
	Ford	3M5Q 9F593 EB								
	PSA	1980 J5 96 571 447 80								
	Volvo	8603564								

Additions to Bulletin 195/11 for Issue 6 (currently Issue 5, May 2007)

Includes kits released up to Jan 08

BOSCH

Injector Part Number	Application(s)			Nosepiece Adaptor	Backleak Adaptor	Clamp Block	HP Pipe	Cable Set	Fuelling Sleeve	NTA5002 Required?
	Manuf.	Range	Model	1	2	3	4	5	6	7
0445 120 011	Fiat Iveco	Ducato 11/15/18 Daily 29/35	2.3 JTD 2.3 ltr	HK908 (NTA5102)	HK909 (NTA5301)	HK973 (NTA5638)	HK974 (1: AHP5087 2: AHP5088 3: AHP5089 4: AHP5090)	HK902 (A089E960, A089E964)	N/A	✓
0445 120 012 0445 120 013	Renault	Midlum Premium	4.0, 6.2 ltr 6.2 ltr	HK998 (NTA5105)	N/A	HK975 (NTA5639) + HK976 (NTA5640)	HK977 (1: AHP5091 2: AHP5092 3: AHP5093 4: AHP5094)	HK903 (A089E966, A089E967)	N/A	✓

0445 110 075 0445 110 135	Citroen	C3 Xsara	1.4 HDI 1.4 HDI	HK907 (NTA5101)	HK909 (NTA5301)	HK947 (NTA5623)	HK995 (1: AHP5135 2: AHP5136 3: AHP5137 4: AHP5138)	HK902 (A089E960, A089E964)	N/A	✓
	Peugeot	206 307	1.4 HDI 1.4 HDI							
0445 110 077 0445 110 078	Volvo	S60 S80 V70 XC70 XC90	2.4 D 2.4 D, D5 2.4 D, D5 D5	HK907 (NTA5101)	HK909 (NTA5301)	HK978 (NTA5633)	HK979 (1: AHP5095 2: AHP5096 3: AHP5097 4: AHP5098)	HK902 (A089E960, A089E964)	N/A	✓

0445 110 083 0445 110 183	Fiat	Albea Doblo Idea Palio Panda Punto Strada	1.3 JTD	HK907 (NTA5101)	HK909 (NTA5301)	HK980 (NTA5634)	HK981 (1: AHP5099 2: AHP5100 3: AHP5101 4: AHP5102)	HK902 (A089E960, A089E964)	N/A	✓
	Lancia	Musa Ypsilon	1.3 JTD							
	Vauxhall / Opel	Agila Astra Combo Corsa Meriva Tigra	1.3 CDTI							
0445 110 085 0445 110 215	Toyota			HK907 (NTA5101)	HK909 (NTA5301)	HK982 (NTA5636)	HK983 (1: AHP5107 2: AHP5108 3: AHP5109 4: AHP5110)	HK902 (A089E960, A089E964)	N/A	✓

(flexible pipes)

0445 110 059	Chrysler	Voager	2.5 ltr	HK907 (NTA5101)	HK909 (NTA5301)	HK986 (NTA5641)	tba	HK902 (A089E960, A089E964)	N/A	✓
0445 110 131	BMW	3 Series 3 Series 5 Series 7 Series X5	320 Cd / d / td 330 Cd / d / xd 530 d 730 d 3.0 d	HK907 (NTA5101)	HK909 (NTA5301)	HK988 (NTA5642)	tba	HK902 (A089E960, A089E964)	N/A	✓
0445 110 159	Vauxhall / Opel	Astra Signum Vectra Zafira	1.9 CDTI	HK907 (NTA5101)	HK909 (NTA5301)	HK990 (NTA5643)	tba	HK902 (A089E960, A089E964)	N/A	✓

0445 120 030	MAN	TGA D2066LF	7.5 ltr	HK907 (NTA5101)	N/A	HK991 (NTA5648)	tba	HK903 (A089E966, A089E967)	HK992 (NTA5405, NTA5501)	✓
--------------	-----	-------------	---------	-----------------	-----	-----------------	-----	----------------------------	--------------------------	---

SIEMENS

5WS40057	Ford Jaguar	Lion V6		HK907 (NTA5101)	HK909 (NTA5301)	HK989 (NTA5635)	tba	HK906 (A089E963)	N/A	✓
----------	-------------	---------	--	-----------------	-----------------	-----------------	-----	------------------	-----	---

DENSO

Injector Part Number	Application(s)			Nosepiece Adaptor	Backleak Adaptor	Clamp Block	HP Pipe	Cable Set	Fuelling Sleeve	NTA5002 Required?
	VM	VM Inj Ref	Model	1	2	3	4	5	6	7
095000 051x 095000 088x 095000 513x 095000 518x 095000 565x 095000 602x 095000 624x 095000 625x	Nissan	16600-8H80x 16600-AU600 16600-AW40x 16600-BN80x 16600-EB30x 16600-ES60x 16600-MB40x 16600-EC00x	Almera Cabstar Pathfinder Primera Navara X-Trail	HK907 (NTA5101)	HK910 (NTA5302)	HK996 (NTA5646)	HK958 (1: AHP5043 2: AHP5044 3: AHP5045 4: AHP5046)	HK905 (A089E962, A089E964)	N/A	✓
095000 560x	Mitsubishi	1465A041	L200	HK907 (NTA5101)	HK910 (NTA5302)	HK997 (NTA5637) + HK956 (NTA5626) + HK932 (NTA5613)	HK958 (1: AHP5043 2: AHP5044 3: AHP5045 4: AHP5046)	HK905 (A089E962, A089E964)	N/A	✓
095000 576x	Mitsubishi	1465A054	Pajero Montero	HK907 (NTA5101)	HK910 (NTA5302)	HK997 (NTA5637) + HK956 (NTA5626) + HK1000 (NTA5649)	HK958 (1: AHP5043 2: AHP5044 3: AHP5045 4: AHP5046)	HK905 (A089E962, A089E964)	N/A	✓

DELPHI

EJBR05001D	JCB			HK907 (NTA5101)	HK911 (NTA5303)	HK987 (NTA5644)	HK917 (1/4: AHP5009 2/3: AHP5010)	HK904 (A089E961, A089E965)	N/A	✓
------------	-----	--	--	--------------------	--------------------	--------------------	---	----------------------------------	-----	---

Notes on Application Tables

The kit numbers HK9xx contain parts for four injectors. For the single-line CRi-PC, the same kit numbers can be used but with the addition of the suffix "/C" e.g. HK9xx/C. These "/C" kits will contain appropriate parts for a single injector.

Where NTA5xxx numbers are shown in brackets under the HK9xx number, these identify the major part number in the kit. This is for reference only as the kit will contain other small items e.g. o rings, washers, bolts that will be required.

N/A = not applicable

TBA = kit to be announced.

Additional applications are under development; please contact Hartridge™ for the latest information and coverage.